

# Capacitive sensor

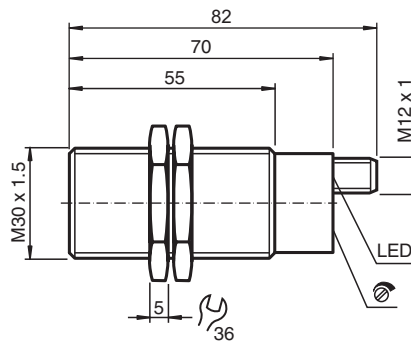
## CCB10-30GS55-N1-V1



- 10 mm flush
- The switching distance can be set over a wide range with the potentiometer



### Dimensions



### Technical Data

#### General specifications

Switching function		Normally open (NO)
Output type		NAMUR
Rated operating distance	$s_n$	10 mm
Installation		flush
Output type		2-wire

#### Nominal ratings

Installation conditions		
A		0 mm
B		0 mm
C		20 mm
F		60 mm
Nominal voltage	$U_o$	8.2 V ( $R_i$ approx. 1 k $\Omega$ )
Operating voltage	$U_B$	5 ... 15 V
Switching frequency	$f$	0 ... 50 Hz
Reverse polarity protection		reverse polarity protected
Current consumption		

Release date: 2022-03-10 Date of issue: 2022-03-10 Filename: 245597\_eng.pdf

Refer to "General Notes Relating to Pepperl+Fuchs Product Information".

Pepperl+Fuchs Group  
www.pepperl-fuchs.com

USA: +1 330 486 0001  
fa-info@us.pepperl-fuchs.com

Germany: +49 621 776 1111  
fa-info@de.pepperl-fuchs.com

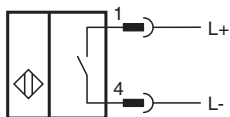
Singapore: +65 6779 9091  
fa-info@sg.pepperl-fuchs.com

**PF** PEPPERL+FUCHS

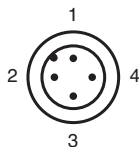
## Technical Data

Measuring plate not detected	≤ 1.5 mA
Measuring plate detected	≥ 2.5 mA
Switching state indicator	LED, yellow
<b>Functional safety related parameters</b>	
MTTF <sub>d</sub>	1134 a
Mission Time (T <sub>M</sub> )	20 a
Diagnostic Coverage (DC)	0 %
<b>Compliance with standards and directives</b>	
Standard conformity	
NAMUR	EN 60947-5-6:2000 IEC 60947-5-6:1999
Standards	EN 60947-5-2:2007 EN 60947-5-2/A1:2012 IEC 60947-5-2:2007 IEC 60947-5-2 AMD 1:2012
<b>Approvals and certificates</b>	
ATEX approval	
Equipment protection level Ga	BVS 13 ATEX E 074 X
Equipment protection level Da	BVS 13 ATEX E 074 X
ETL approval	cETLus
<b>Ambient conditions</b>	
Ambient temperature	-20 ... 70 °C (-4 ... 158 °F)
<b>Mechanical specifications</b>	
Connection type	Connector plug M12 x 1 , 4-pin
Housing material	Stainless steel 1.4305 / AISI 303
Sensing face	PTFE
Degree of protection	IP67
<b>General information</b>	
Use in the hazardous area	see instruction manuals

## Connection

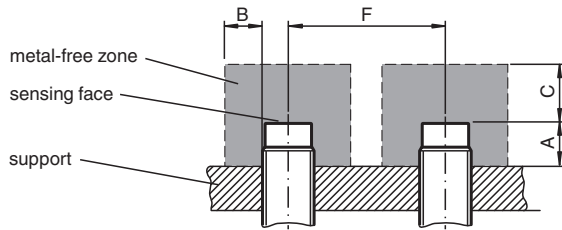


## Connection Assignment



Release date: 2022-03-10 Date of issue: 2022-03-10 Filename: 245597\_eng.pdf

## Installation



## Accessories

	<b>BF 30</b>	Mounting flange, 30 mm
	<b>V1-W-N4-2M-PVC</b>	Female cordset single-ended M12 angled A-coded, 4-pin, PVC cable blue, NAMUR
	<b>V1-W-N4-5M-PVC</b>	Female cordset single-ended M12 angled A-coded, 4-pin, PVC cable blue, NAMUR
	<b>V1-G-N4-5M-PVC</b>	Female cordset single-ended M12 straight A-coded, 4-pin, PVC cable blue, NAMUR
	<b>V1-G-N4-5M-PUR</b>	Female cordset single-ended M12 straight A-coded, 4-pin, PUR cable blue, NAMUR
	<b>V1-W-N4-5M-PUR</b>	Female cordset single-ended M12 angled A-coded, 4-pin, PUR cable blue, NAMUR